

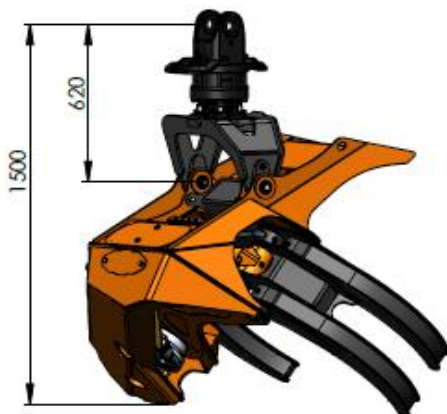
MT50FH

FELLING HEAD

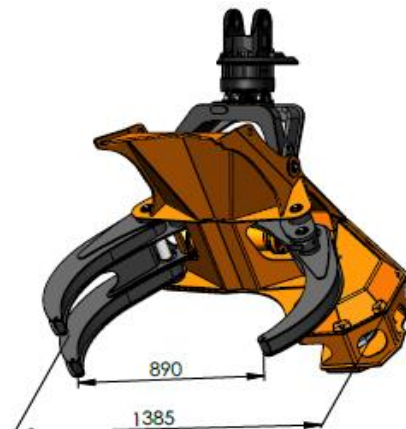
Durable // Efficient // Low-cost // Mechanised Felling Solution



REAR VIEW



FRONT VIEW



STRUCTURE

Durable, high strength steel structure

-Wear resistant grab tines made from high alloy steel.

-Heavy duty 50mm chrome pins & ceramic coated steel bushes for longer life.

-Line-bored to ensure reliable interchangeability of components.

GRAPPLE

Tip – Tip Area: 0.25 sqm

Max Jaw Open: 890MM

Min Jaw Closed: 50MM

Max Cut diameter: 530MM

SAW**HULTDINS SUPERCUT**

Saw Chain: 0.404Pitch

Saw Bar: 750MM

DIMENSIONS

Height: 1500MM

Width: 1385MM

Depth: 1200MM

ROTATOR

Indexator GV124S – Grapple Saw Rotator

Rotation: 360°

Weight: 59KG

Upper Interface: 80mm

WEIGHT

Gross: 535KG

