

## ULTeco5

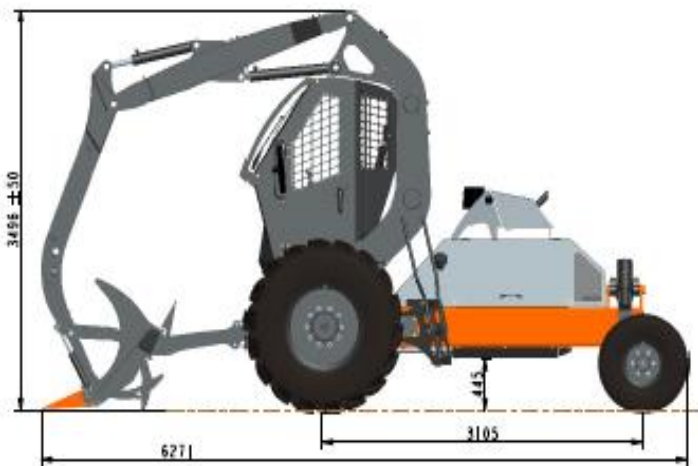
Sugarcane Slew Loader



**A Low-cost, Controlled Traffic Loading Tool**

- ✓ **Durable**
- ✓ **Functional**
- ✓ **Efficient**

**SIDE VIEW**



**FRONT VIEW**



<b>ENGINE</b>		
JCB Diesel Max 444 T2 NA 63 kW (84 HP) @ 2200 RPM		
Mechanical Engine - Equipped with a dry element filtration system with secondary safety element and filter mounted visual warning indicator - Precleaner, Primary Filter and Secondary Safety Element.		
Fuel Tank Capacity - 100 litres		
<b>DRIVE SYSTEM</b>		
Hydrostatic Drive System		
Single Speed		
Two Wheel Drive		
Maximum Speed of 11 KPH (6.9 MPH)		
<b>AXLES AND TYRES</b>		
Rigid Front Axle		
Oscillating Rear Axle with Castering Wheels		
Differential Steering System		
Tyre Size - Front	Opt 1	18.4 - 30
Tyre Size - Front	Opt 2	16.9 - 34
Tyre Size - Rear		400/60 - 15.5
<b>BOOM AND GRAPPLE</b>		
Double Acting - Boom & Dipper Arm		
Boom Slew Travel - 185 degree		
Wide Grapple with Tilting Function		
Grapple Capacity - 0.38 sqm		
<b>OPTIONAL PUSH-PILER &amp; GRAPPLE</b>		
Push Piler - Infinitely Adjustable Tine Positioning, Hydraulic Height Adjustment		
Grapple Arrangement - Dangle Type, Fore/Aft Pivoting		
<b>HYDRAULIC SYSTEM</b>		
Tandem Gear Pump		
Split Control Valve - Optimal Flow Sharing		
Low Effort Pilot Operated Controls		
Hydraulic Tank Capacity - 100 litres		
<b>ELECTRICAL SYSTEM</b>		
Single 12 Volt Battery		
Alternator - 14 volt 95 amp		
Worklights, Reverse Alarm & Hooter		
<b>OPERATOR STATION</b>		
Superior Visibility - Operator Always Faces the Load		
Machine Systems Monitoring and Warning Indicators		
Ergonomic Operator Controls - Joystick Type		
Glazed Operator Windshield		
Fully Adjustable Operator Seat		
<b>BRAKES</b>		
Hydrostatic Dynamic Braking System		
Spring Applied, Hydraulic Release Park Brake - Two Drive Wheels		
<b>WEIGHTS AND DIMENSIONS</b>		
Track Width - Standard*		2.74 m
Track Width - Optional		2.20m
Track Width - Optional		2.10m
Operating Weight		5900 kg

\*Rotate Rim to Increase Track Width to 3.00 m

\*\*Alternate Track Width Options Available Upon Request

