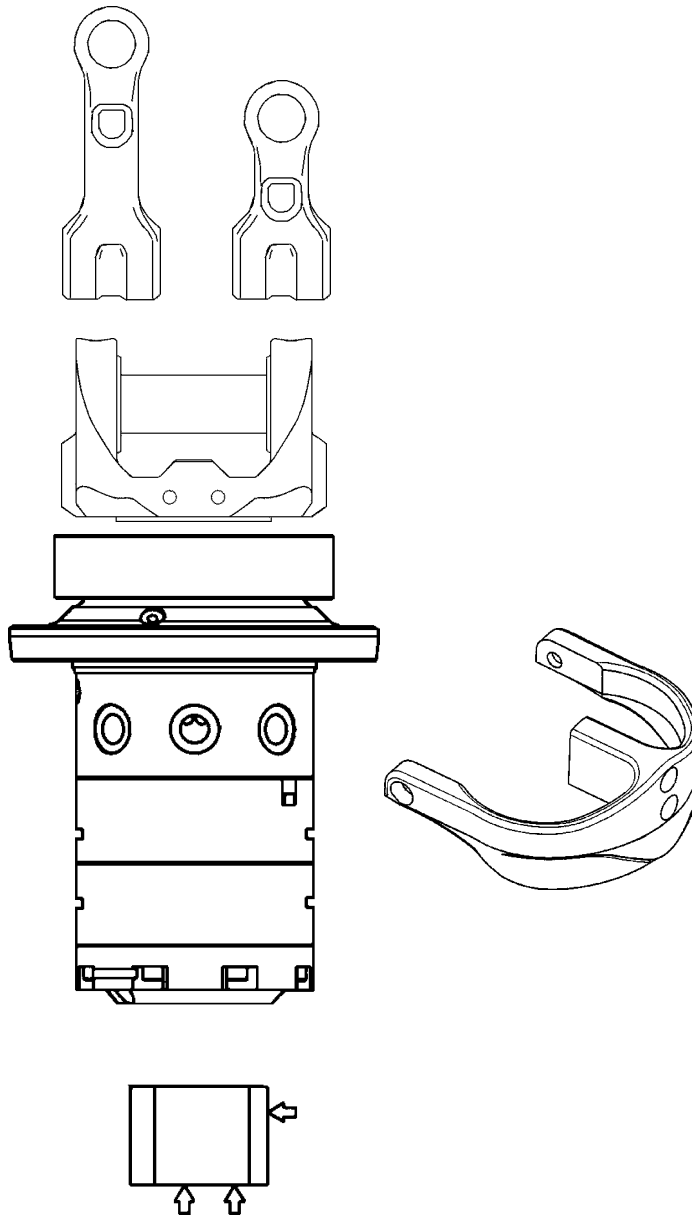




GB

# ROTATOR IR 12

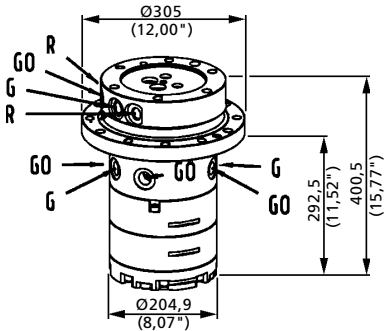
IR 12 family for demanding log handling applications



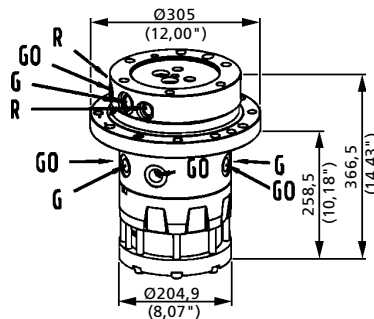
- Alternative motor options providing optional rotating torque
- Flexible design providing optimal link attachment solutions
- Flexible oil channel design for added hydraulic functions and different needs
- Alternative hose mountings

# ROTATOR IR 12

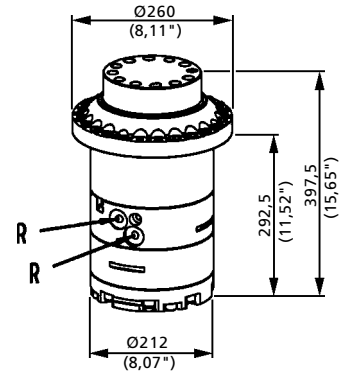
The IR 12 rotator family is recommended for grapples between 40 and 50 inches opening width, and felling and harvesting heads mounted on excavators.



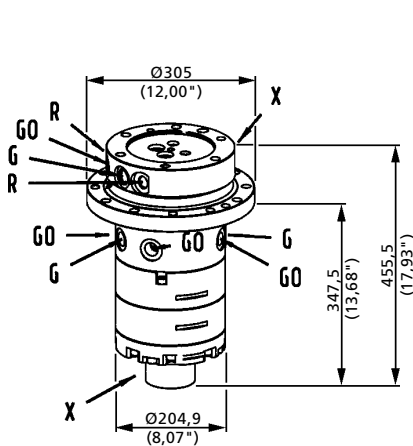
**IR 12**  
For tree-length grapples with high demands for torque.



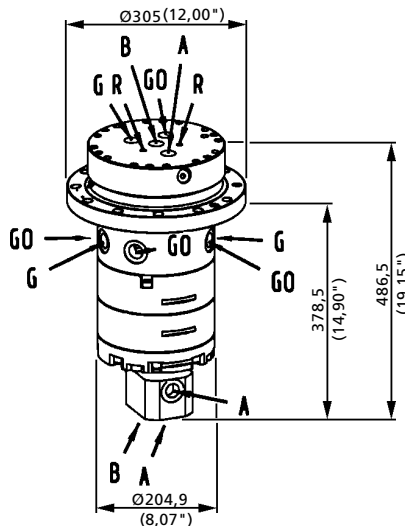
**IR 12L**  
For tree-length grapples.



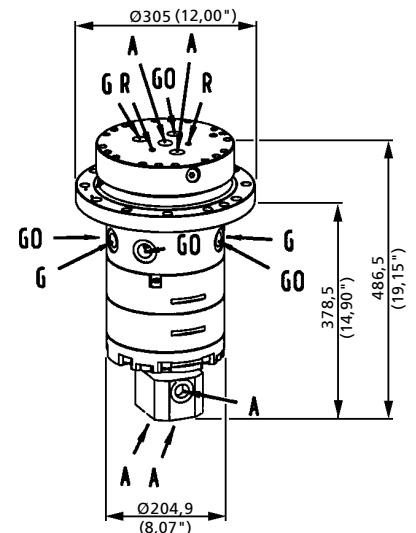
**IR 12AV**  
For harvesting heads from 1200 to 3000 kg.



**IR 12X**  
For tree-length grapples with grapple saw, and high demands for torque.



**IR 12X2**  
For felling heads with high demands for torque and oil flow.



**IR 12XA**  
For tree-length grapples with grapple saw, high demands for torque and alternative link solutions. (A=B)

## Technical data

|  | <b>IR 12</b>  | <b>IR 12X</b>   | <b>IR 12XA/X2</b>   | <b>IR 12L</b>   | <b>IR 12AV</b>                        |
|--|---|---|---|---|---------------------------------------|
| Weight, kg (lb)                          | 8000 614<br>97 (214)  | 8000 615<br>100 (220)   | 8000 656/8000 655<br>102 (224)                                    | 8000 613<br>87 (191)  | 8000 265<br>82 (180)                  |
| Max axial load static, kN (lbf)          | ± 250 (56 205)  | ± 250 (56 205)  | ± 250 (56 205)  | ± 250 (56 205)  | ----                                  |
| Max axial load dynamic, kN (lbf)         | ± 70 (15 735)   | ± 70 (15 735)   | ± 70 (15 735)   | ± 70 (15 735)   | ----                                  |
| Torque at 21 MPa (3 045 psi), Nm (lb-ft) | 2 900 (2 140)   | 2 900 (2 140)   | 2 900 (2 140)   | ----  | 2 900 (2 140)                         |
| Torque at 19 MPa (2 755 psi), Nm (lb-ft) | ----  | ----  | ----  | 2 200 (1 620)   | ----                                  |
| Rec oilflow, rotation lit/min(GPM)**)    | 25 (6,6)  | 25 (6,6)  | 25 (6,6)  | 25 (6,6)  | 25 (6,6)                              |
| (**US Gallon)                            |   |   |   |   |                                       |
| Max working pressure:                    |   |   |   |   |                                       |
| Rotator, MPa (psi)                       | <input type="checkbox"/> R 21 (3 045)                             | <input type="checkbox"/> R 21 (3 045)                             | <input type="checkbox"/> R 21 (3 045)                             | <input type="checkbox"/> R 19 (2 755)                             | <input type="checkbox"/> R 21 (3 045) |
| Grapple function, MPa (psi)              | <input type="checkbox"/> G <input type="checkbox"/> GO 35 (5 075) | <input type="checkbox"/> G <input type="checkbox"/> GO 35 (5 075) | <input type="checkbox"/> G <input type="checkbox"/> GO 35 (5 075) | <input type="checkbox"/> G <input type="checkbox"/> GO 35 (5 075) | ----                                  |
| Dimensional drawing no                   | 2000 024  | 2000 024  | 2000 032  | 2000 016  | 2000 040                              |

Sales and service:



Indexator AB, Box 11, S-922 21 Vindeln, Sweden  
Tel + 46 933 148 00, Fax + 46 933 148 99  
www.@indexator.se