



GB

# ROTATOR

GV 12S  
GV 12SA

The ultimate rotator for forwarders, harvesting heads  
and heavy attachments

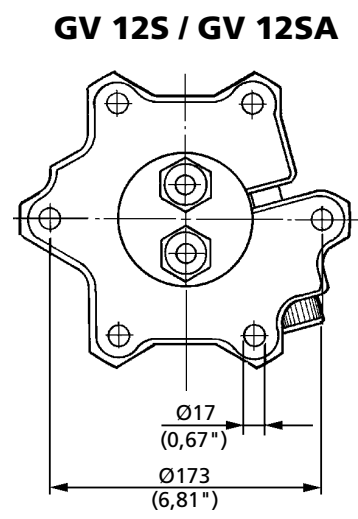
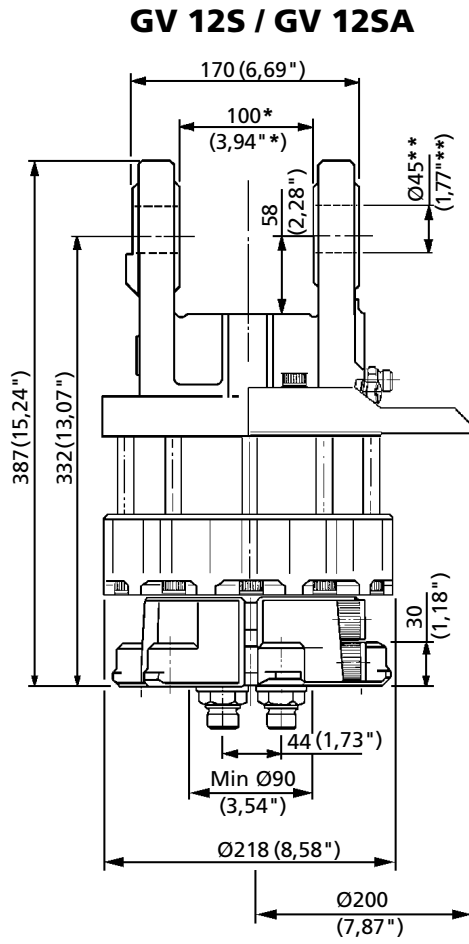


GV 12S the ultimate high power rotator for large forest machines and heavy duty applications. Equipped with the 12-series motor drive unit the GV 12 offers a new level of reliability and long service life.

- Robust upper link mounting with well protected hose connections.
- Optional - heavy duty hose guards.
- Max working pressure 25 Mpa.
- The GV 12S incorporates a magnetic plug for oil cleanliness inspection.
- Robust lower link completely free from play.

# ROTATOR

GV 12S  
GV 12SA



<b>Technical data</b>	<b>GV 12S</b>	<b>GV 12SA</b>
Rotation	5112 075	5112 076
Weight, kg (lb)	unlimited	unlimited
Max axial load static, kN (lbf)	58 (128)	58 (128)
Max axial load dynamic, kN (lbf)	100 (22 480)	100 (22 480)
Torque at 25 MPa (3 625 psi), Nm (lb-ft)	50 (11 240)	50 (11 240)
Rec oilflow, rotation lit/min (GPM**)	2 200 (1 625)	2 200 (1 625)
	25 (6,6)	25 (6,6)

(\*\*US gallon)

Max working pressure:		Connection:	
Rotator	25 MPa (3 625 psi)	<input type="checkbox"/> R	BSP 1/2"      BSP 1/2"
Grapple/Tool open	25 MPa (3 625 psi) ↔	<input type="checkbox"/> GO	BSP 1/2"      BSP 1/2"
Grapple/Tool close	25 MPa (3 625 psi) ↔	<input type="checkbox"/> G	BSP 1/2"      BSP 1/2"

We supply adapter sets for alternative connections

Sales and service:



Indexator AB, Box 11, S-922 21 Vindeln, Sweden  
Tel + 46 933 109 45, Fax + 46 933 108 57  
E-mail: sales@indexator.se